



φ3mmBi-color with common cathode

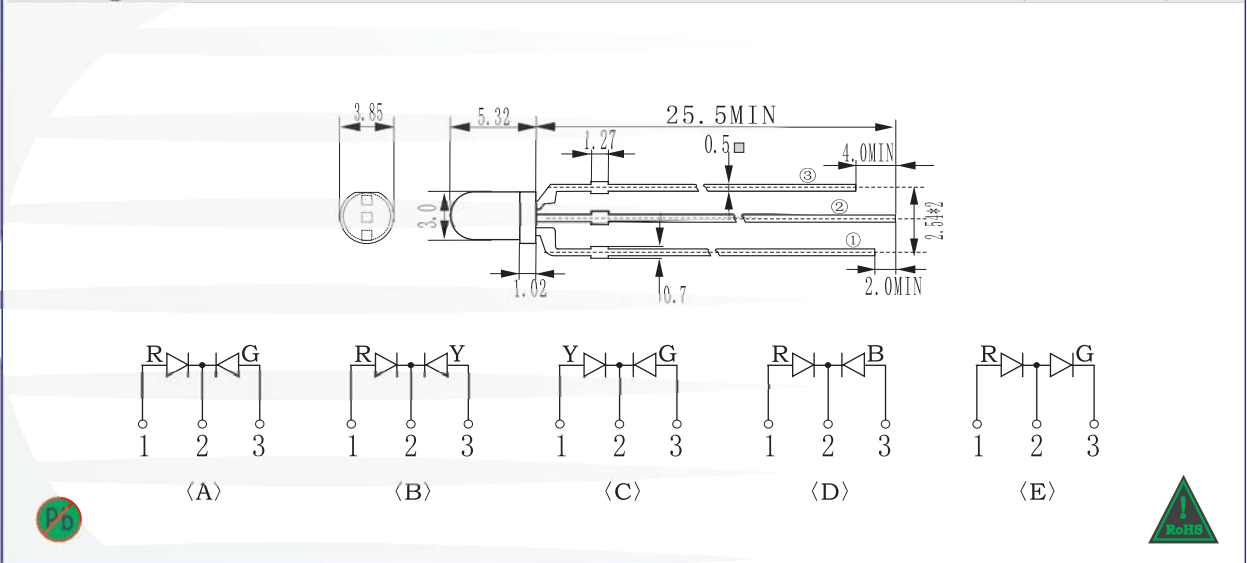
Part Number	Emitting Material	Wave Length λ_D (nm)	Emitting Color	Lens Type	V_F (v)	IV(mcd)	Viewing Angle $2\theta_{1/2}$ (°)
					Typ.	Typ.	

CL-3RG9HW	GaAsP/GaP	635	Red	White Diffused	2.0	100	30
	GaP	568	Green		2.2	85	30
CL-3RY9HW	GaAsP/GaP	635	Red	White Diffused	2.0	100	30
	GaAsP/GaP	580	Yellow		2.1	80	30
CL-3YG9SW	GaAlInP/GaAs	593	Yellow	White Diffused	2.1	150	30
	GaInN	525	Real Green		3.4	450	30
CL-3RB9SW	GaAlAs	660	Real Red	White Diffused	2.0	180	30
	GaInN	470	Blue		3.4	500	30

CL-3RG9HC	GaAsP/GaP	635	Red	Color Transparent	2.0	600	20
	GaP	568	Green		2.2	450	20
CL-3RY9HC	GaAsP/GaP	635	Red	Color Transparent	2.0	900	20
	GaAsP/GaP	580	Yellow		2.1	650	20
CL-3YG9UC	GaAlInP/GaAs	593	Yellow	Color Transparent	2.2	850	20
	GaInN	525	Real Green		3.4	1200	20
CL-3RB9UC	GaAlAs	660	Real Red	Color Transparent	2.0	1000	20
	GaInN	470	Blue		3.4	1600	20

Package Outlines

(unit:mm)



Remark: 1. All dimensions are in millimeters, tolerance is 0.25mm unless otherwise noted.
 2. A above specification is measured by CHANGLI's test instrument and may be changed without notice.
 3. Supplier will reserve authority on material change for above specification.