

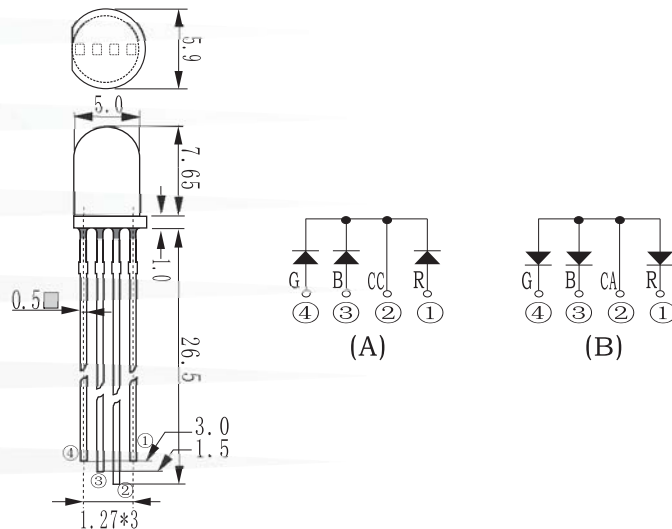


φ5mm Multi-color Flange

Part Number	Emitting Material	Wave Length λ_D (nm)	Emitting Color	Lens Type	V_F (v)	IV(mcd)	Viewing Angle $2\theta_{1/2}$ (°)
					Typ.	Typ.	
CL-5RGB9SW	GaAsP/GaP	635	Red	White Diffused	2.0	200	35
	GaInN	525	Real Green		3.4	650	35
	GaInN	470	Blue		3.4	600	35
CL-5RGY9SW	GaAsP/GaP	635	Red	White Diffused	2.0	180	35
	GaInN	525	Real Green		3.4	650	35
	GaAsP/GaP	590	Yellow		2.1	200	35
CL-5RGB9UC	GaAsP/GaP	635	Red	Color Transparent	2.0	1200	20
	GaInN	525	Real Green		3.4	3000	20
	GaInN	470	Blue		3.4	2500	20
CL-5RGY9UC	GaAsP/GaP	635	Red	Color Transparent	2.0	1200	20
	GaInN	525	Real Green		3.4	3000	20
	GaAsP/GaP	590	Yellow		2.1	1000	20

Package Outlines

(unit:mm)



- Remark: 1. All dimensions are in millimeters, tolerance is 0.25mm unless otherwise noted.
 2. Above specification is measured by CHANGLI's test instrument and may be changed without notice.
 3. Supplier will reserve authority on material change for above specification.